

Installation Instructions

1. To remove old guide pin use hammer and Punch from outside in. (See Fig 1)
2. To Install new guide pin using Locking Pliers with a Spacer (Nut) to press in to place from inside out. (See Fig 2)

Fig 1

Removal

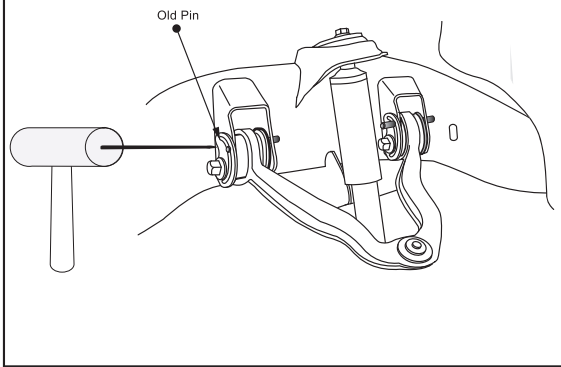
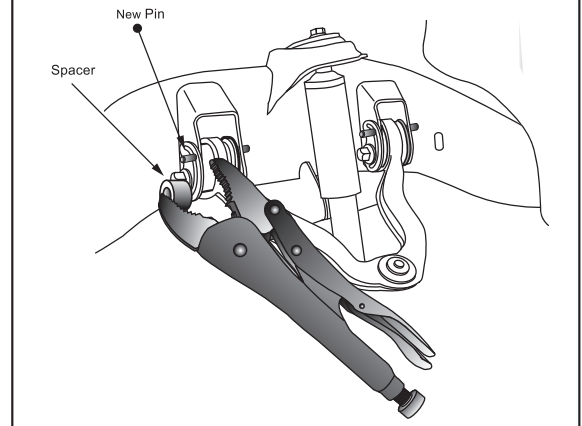


Fig 2

Installation



Installation Instructions

1. To remove old guide pin use hammer and Punch from outside in. (See Fig 1)
2. To Install new guide pin using Locking Pliers with a Spacer (Nut) to press in to place from inside out. (See Fig 2)

Fig 1

Removal

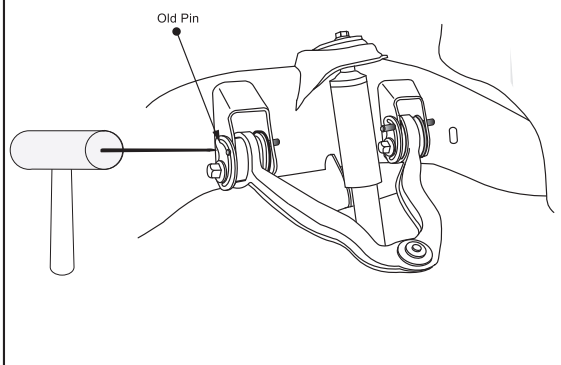


Fig 2

Installation

